

Chemilizer

Chemilizer is an industry-leading chemical injector that utilizes years of proven diaphragm technology. Powered by the existing water supply, the internal motor drives the chemical pump, injecting very precise amounts of chemical.

The speed of the water motor and pump are proportional to the water flow, ensuring **Chemilizer** will inject consistent amounts of chemical regardless of fluctuation in water pressure and flow.

- ① No water filtration required
- ① Unique by-pass chemical injection design
- ① Excellent low flow capabilities
- ① Available in both fixed and adjustable injection rate models



Adjustable Chemilizer

The new adjustable rate chemical pump allows you to:

- ① Adjust your injection on-site
- ① Ideal for animal health & horticulture applications
- ① Allows you to fine-tune your injection to your chemical, to get the precise dilution ratio you need



Hydro[®]
systems
A **DOVER**™ COMPANY

Often Used



animal health



horticulture

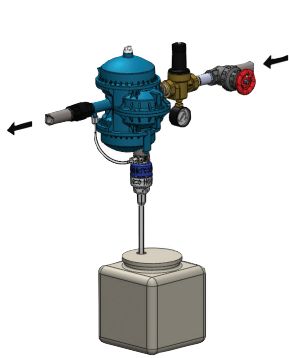


industry

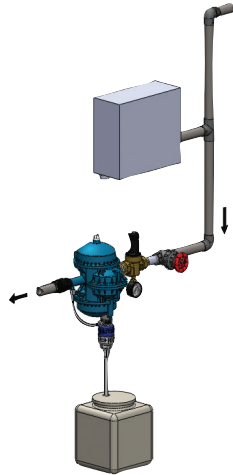


food processing

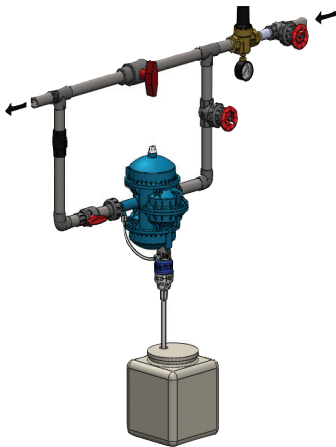
Basic Installation



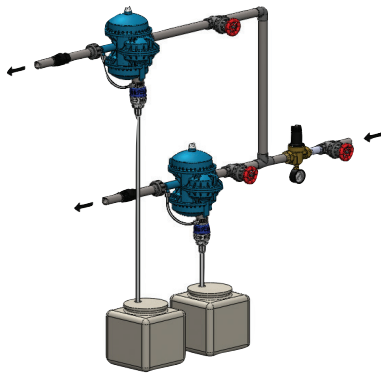
inline installation



tank feed installation



bypass installation



dual inline installation

General Specifications:

Housing	Polypropylene
Maximum Temp.	100°F (38°C)
Minimum Temp.	34°F (1°C)
Maximum Vertical Suction of Concentrate	12ft/3.6 m
Maximum Horizontal Suction of Concentrate	12ft/15 m
Self-Priming	Yes
Seal Material Available*	Silicone Viton
Maximum Viscosity	1,500 cP (Ex. Honey)
Recommended Accessories	Check valve, pressure regulator, flow restrictor
Thread Sizes Available	3/4" NPT, GHT, BSP

*Contact your representative for specific chemical information

Chemilizer Adjustable Injector Specifications

Part #	Injection Range		Component Material
	ratio	%	
CH9000 - AV1	150:1 - 500:1	.7 - .2	Viton
CH9000 - AV2	50:1 - 164:1	2 - 0.6	Viton
CH9000 - AV3	20:1 - 64:1	5 - 1.6	Viton

Chemilizer Fixed Injector Specifications

Part #	Injection Range		Flow Range (min - max)		Operating Pressure (min - max)		Component Material
	ratio	%	gpm	lph	psi	bar	
CH9000 - 209	128:1	.78	0.02 - 11	5 - 2500	3 - 85	0.2 - 5.8	Viton
CH9000 - 210	100:1	1	0.02 - 11	5 - 2500	3 - 85	0.2 - 5.8	Viton
CH9000 - 211	100:2	2	0.02 - 11	5 - 2500	3 - 85	0.2 - 5.8	Viton
CH9000 - 220	128:2	1.6	0.02 - 11	5 - 2500	3 - 85	0.2 - 5.8	Viton
CH9000 - 222	250:1	.4	0.02 - 11	5 - 2500	3 - 85	0.2 - 5.8	Viton
CH9000 - 225	500:1	.2	0.02 - 11	5 - 2500	3 - 85	0.2 - 5.8	Viton